

# UTS SALES AND REPAIRS

## A SAFER WAY TO REACH NEW HEIGHTS

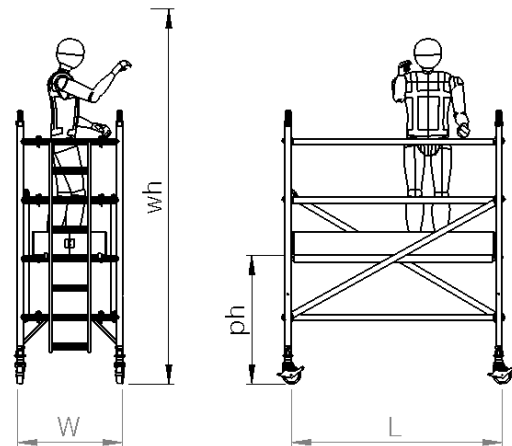
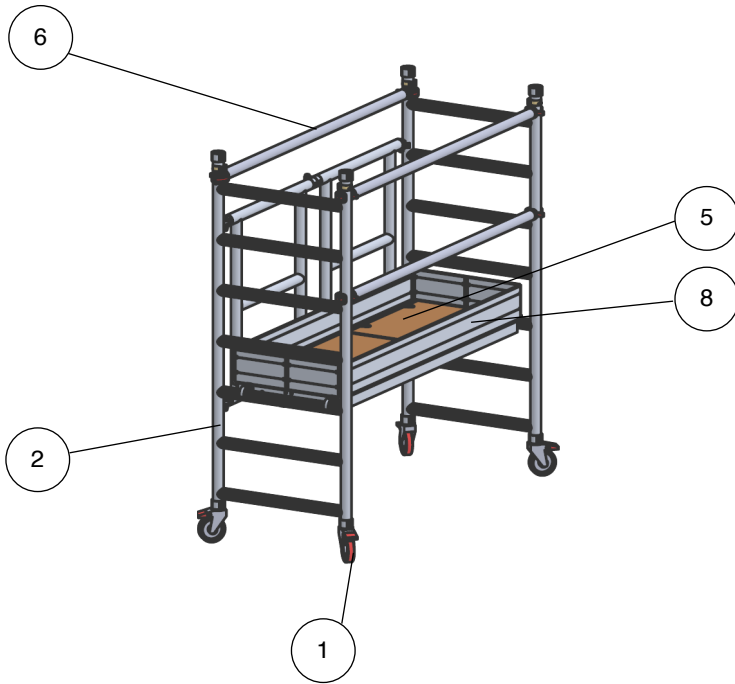
**Fold Out Tower**  
1.8m Long x 0.7m Wide

**Working Working Height**  
2.8m

**Platform Height**  
0.8m

### Tower Components

Item	Description	Quantity
1	125mm Locking Caster	4
2	Folding Frame Base Unit	1
3	1m 4 Rung Frame	0
4	1.75m 7 Rung Frame	0
5	1.8m Trapdoor Platform	1
6	1.8m Horizontal Brace	3
7	2.1m Diagonal Brace	0
8	Complete Toe Board Set	1
9	S1 Stabiliser	0



#### Technical information:

Base Dimensions:	(L)1.8m X (W)0.7m
Maximum Platform Height (ph):	0.8m
Maximum Working Height (wh):	2.8m
Maximum Working Load Per Platform:	275kg
Maximum Working Load Per Tower: (including tower weight)	950kg
Weight:	75.4kg

01227 860085  
Mon-Fri, 8am until 5pm

For More Information:  
info@towersandpodiums.co.uk  
We reply within 1 hour  
Mon-Fri, 8am until 5pm



# UTS SALES AND REPAIRS

## A SAFER WAY TO REACH NEW HEIGHTS

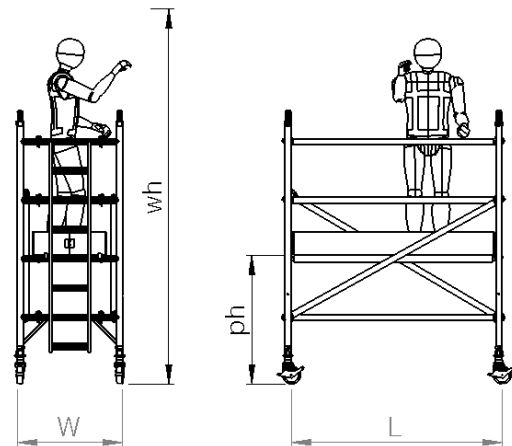
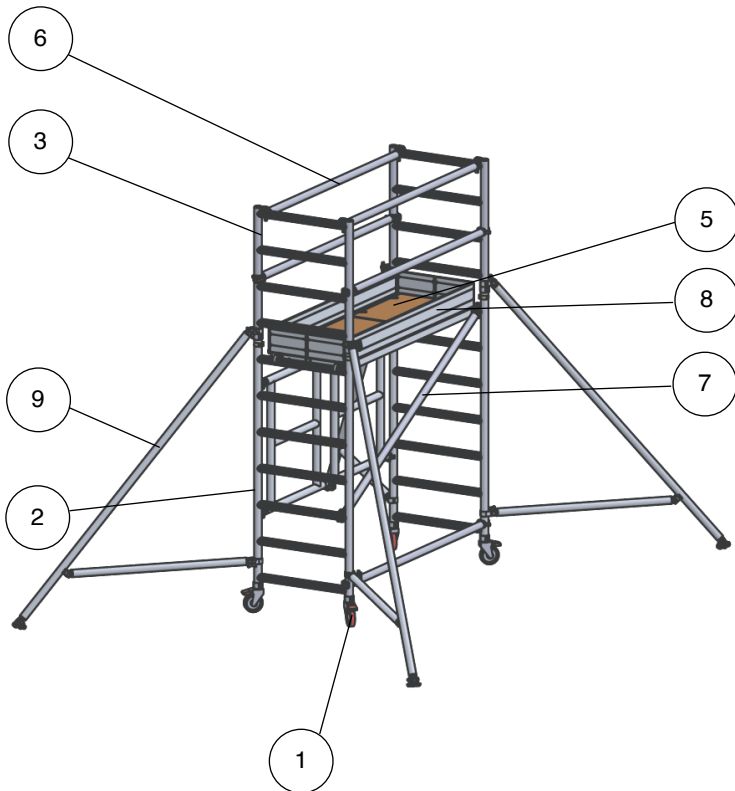
**Fold Out Tower**  
1.8m Long x 0.7m Wide

**Working Height**  
3.8m

**Platform Height**  
1.8m

### Tower Components

Item	Description	Quantity
1	125mm Locking Caster	4
2	Folding Frame Base Unit	1
3	1m 4 Rung Frame	2
4	1.75m 7 Rung Frame	0
5	1.8m Trapdoor Platform	1
6	1.8m Horizontal Brace	5
7	2.1m Diagonal Brace	1
8	Complete Toe Board Set	1
9	S1 Stabiliser	*0



#### Technical information:

Base Dimensions:	(L)1.8m X (W)0.7m
Maximum Platform Height (ph):	1.8m
Maximum Working Height (wh):	3.8m
Maximum Working Load Per Platform:	275kg
Maximum Working Load Per Tower: (including tower weight)	950kg
Weight:	117.7kg

\* Please Note: Stabilisers for 1.8m are not required when using internally only externally. However it is the users responsibility to complete a risk assessment and decided if stabilisers are required internally as well.

01227 860085  
Mon-Fri, 8am until 5pm

For More Information:  
info@towersandpodiums.co.uk  
We reply within 1 hour  
Mon-Fri, 8am until 5pm



# UTS SALES AND REPAIRS

## A SAFER WAY TO REACH NEW HEIGHTS

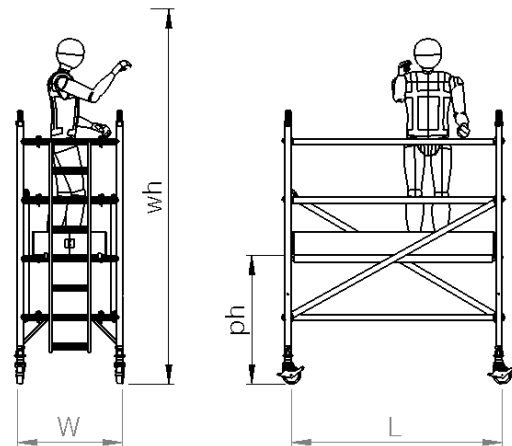
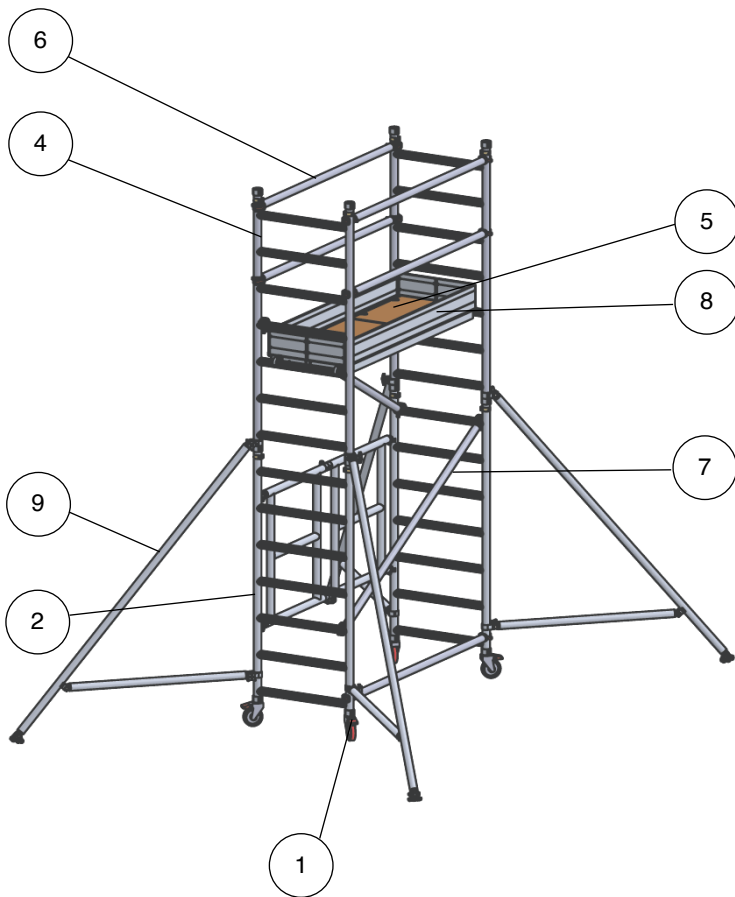
**Fold Out Tower**  
1.8m Long x 0.7m Wide

**Working Height**  
4.5m

**Platform Height**  
2.5m

### Tower Components

Item	Description	Quantity
1	125mm Locking Caster	4
2	Folding Frame Base Unit	1
3	1m 4 Rung Frame	0
4	1.75m 7 Rung Frame	2
5	1.8m Trapdoor Platform	1
6	1.8m Horizontal Brace	5
7	2.1m Diagonal Brace	2
8	Complete Toe Board Set	1
9	S1 Stabiliser	4



#### Technical information:

Base Dimensions:	(L)1.8m X (W)0.7m
Maximum Platform Height (ph):	2.5m
Maximum Working Height (wh):	4.5m
Maximum Working Load Per Platform:	275kg
Maximum Working Load Per Tower: (including tower weight)	950kg
Weight:	149.5kg

01227 860085  
Mon-Fri, 8am until 5pm

For More Information:  
info@towersandpodiums.co.uk  
We reply within 1 hour  
Mon-Fri, 8am until 5pm



# UTS SALES AND REPAIRS

## A SAFER WAY TO REACH NEW HEIGHTS

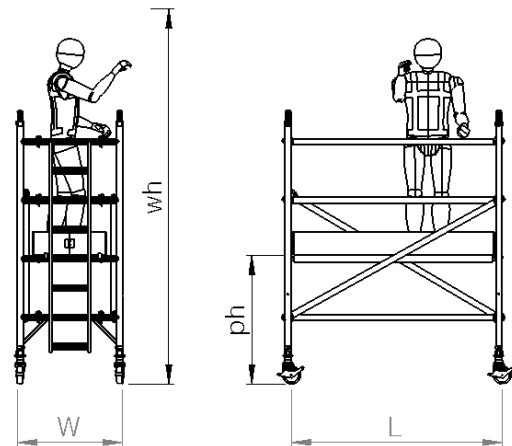
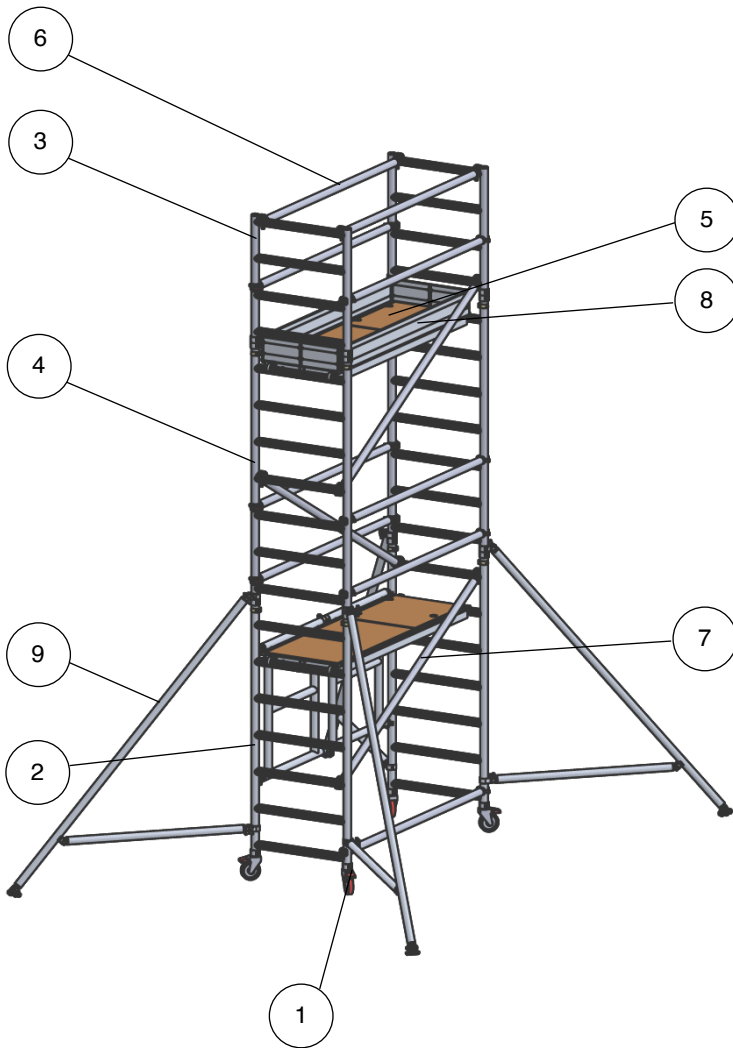
**Fold Out Tower**  
1.8m Long x 0.7m Wide

**Working Height**  
5.5m

**Platform Height**  
3.5m

### Tower Components

Item	Description	Quantity
1	125mm Locking Caster	4
2	Folding Frame Base Unit	1
3	1m 4 Rung Frame	2
4	1.75m 7 Rung Frame	2
5	1.8m Trapdoor Platform	2
6	1.8m Horizontal Brace	9
7	2.1m Diagonal Brace	3
8	Complete Toe Board Set	1
9	S1 Stabiliser	4



#### Technical information:

Base Dimensions:	(L)1.8m X (W)0.7m
Maximum Platform Height (ph):	3.5m
Maximum Working Height (wh):	5.5m
Maximum Working Load Per Platform:	275kg
Maximum Working Load Per Tower: (including tower weight)	950kg
Weight:	167.7kg

01227 860085  
Mon-Fri, 8am until 5pm

For More Information:  
info@towersandpodiums.co.uk  
We reply within 1 hour  
Mon-Fri, 8am until 5pm



# UTS SALES AND REPAIRS

## A SAFER WAY TO REACH NEW HEIGHTS

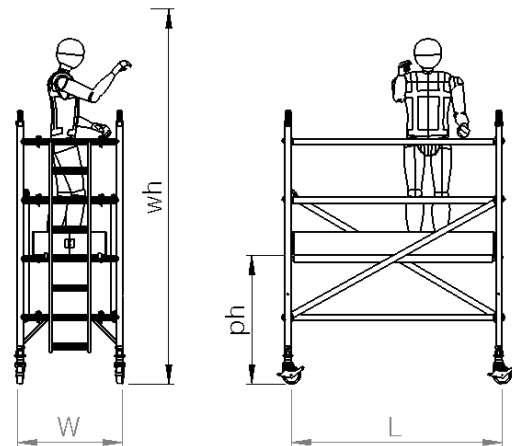
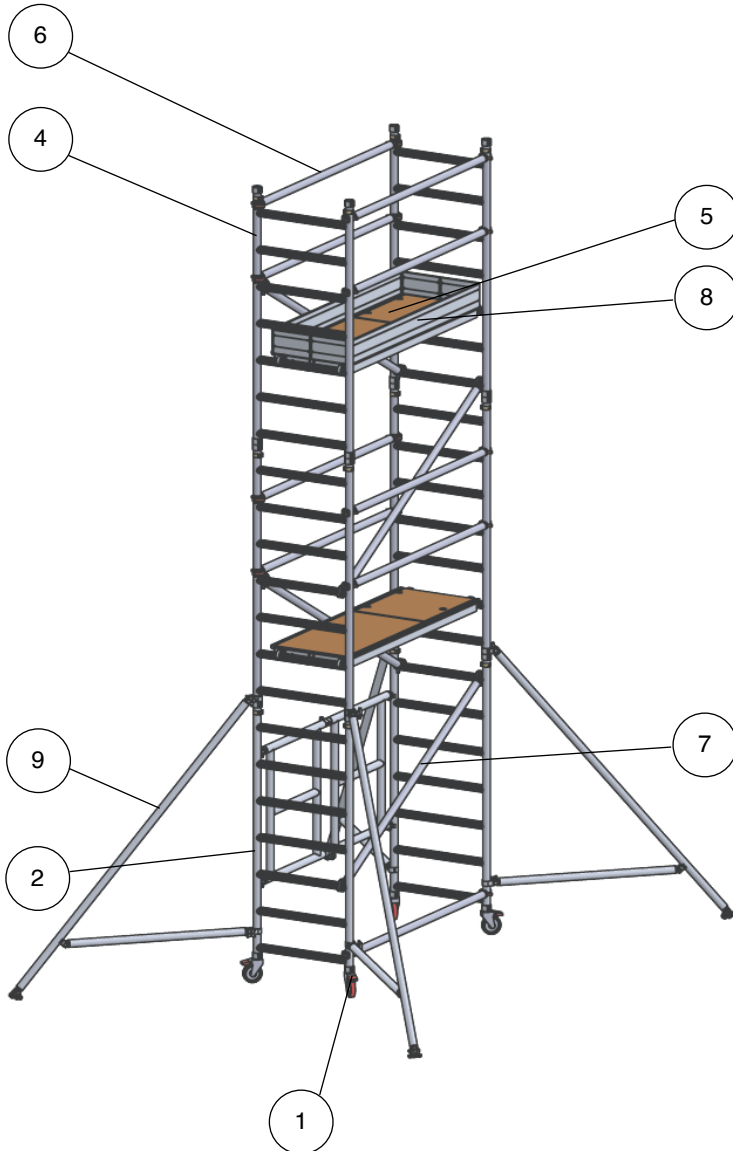
**Fold Out Tower**  
1.8m Long x 0.7m Wide

**Working Height**  
6.3m

**Platform Height**  
4.3m

### Tower Components

Item	Description	Quantity
1	125mm Locking Caster	4
2	Folding Frame Base Unit	1
3	1m 4 Rung Frame	0
4	1.75m 7 Rung Frame	4
5	1.8m Trapdoor Platform	2
6	1.8m Horizontal Brace	9
7	2.1m Diagonal Brace	4
8	Complete Toe Board Set	1
9	S1 Stabiliser	4



#### Technical information:

Base Dimensions:	(L)1.8m X (W)0.7m
Maximum Platform Height (ph):	4.3m
Maximum Working Height (wh):	6.3m
Maximum Working Load Per Platform:	275kg
Maximum Working Load Per Tower: (including tower weight)	950kg
Weight:	167.7kg

01227 860085  
Mon-Fri, 8am until 5pm

For More Information:  
info@towersandpodiums.co.uk  
We reply within 1 hour  
Mon-Fri, 8am until 5pm



# UTS SALES AND REPAIRS

## A SAFER WAY TO REACH NEW HEIGHTS

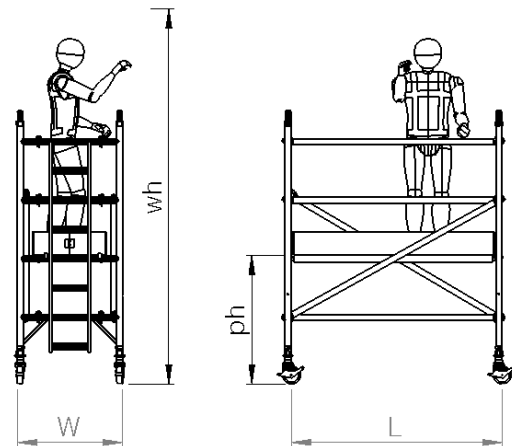
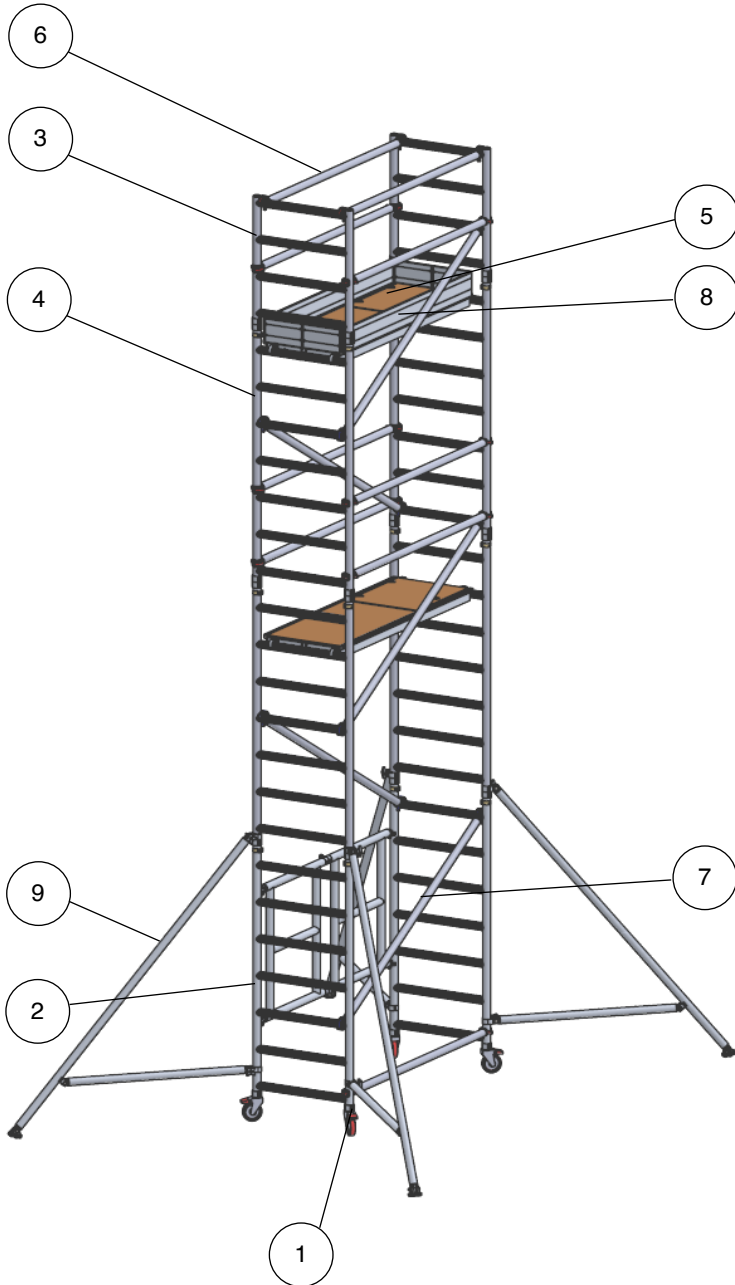
**Fold Out Tower**  
1.8m Long x 0.7m Wide

**Working Height**  
7.3m

**Platform Height**  
5.3m

### Tower Components

Item	Description	Quantity
1	125mm Locking Caster	4
2	Folding Frame Base Unit	1
3	1m 4 Rung Frame	2
4	1.75m 7 Rung Frame	4
5	1.8m Trapdoor Platform	2
6	1.8m Horizontal Brace	9
7	2.1m Diagonal Brace	5
8	Complete Toe Board Set	1
9	S1 Stabiliser	4



#### Technical information:

Base Dimensions:	(L)1.8m X (W)0.7m
Maximum Platform Height (ph):	5.3m
Maximum Working Height (wh):	7.3m
Maximum Working Load Per Platform:	275kg
Maximum Working Load Per Tower: (including tower weight)	950kg
Weight:	167.7kg

01227 860085  
Mon-Fri, 8am until 5pm

For More Information:  
info@towersandpodiums.co.uk  
We reply within 1 hour  
Mon-Fri, 8am until 5pm



# UTS SALES AND REPAIRS

## A SAFER WAY TO REACH NEW HEIGHTS

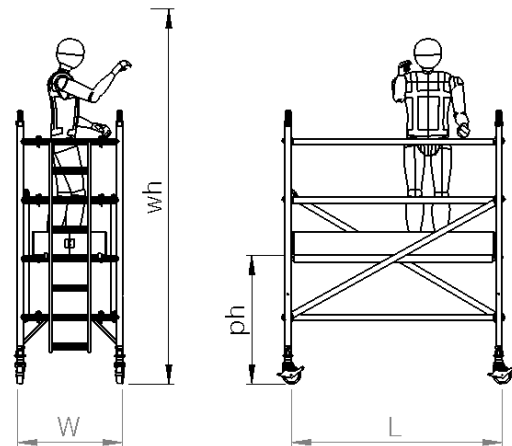
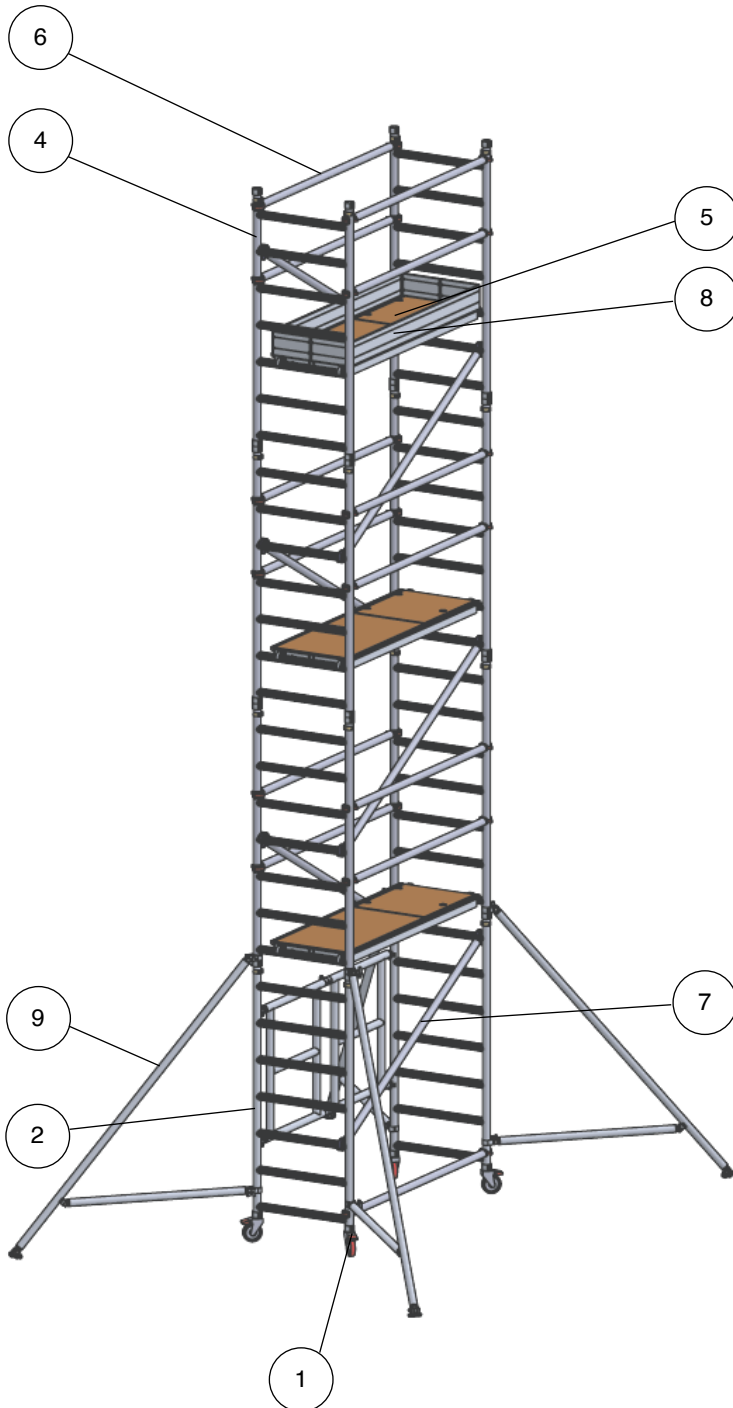
**Fold Out Tower**  
1.8m Long x 0.7m Wide

**Working Height**  
8.05m

**Platform Height**  
6.05m

### Tower Components

Item	Description	Quantity
1	125mm Locking Caster	4
2	Folding Frame Base Unit	1
3	1m 4 Rung Frame	0
4	1.75m 7 Rung Frame	6
5	1.8m Trapdoor Platform	3
6	1.8m Horizontal Brace	13
7	2.1m Diagonal Brace	6
8	Complete Toe Board Set	1
9	S1 Stabiliser	4



#### Technical information:

Base Dimensions:	(L)1.8m X (W)0.7m
Maximum Platform Height (ph):	6.05m
Maximum Working Height (wh):	8.05m
Maximum Working Load Per Platform:	275kg
Maximum Working Load Per Tower: (including tower weight)	950kg
Weight:	167.7kg

01227 860085  
Mon-Fri, 8am until 5pm

For More Information:  
info@towersandpodiums.co.uk  
We reply within 1 hour  
Mon-Fri, 8am until 5pm

